

# Dixie-Narco®



Lawrence Street  
Ranson, West Virginia 25438

(304) 725-3481  
(800) 624-0553

## Service Bulletin # 294

INSTRUCTIONS: For Ardac MBA Downstacker Only.

Date: August 8, 1985  
Revised: June 10, 1988

MODELS: DNCB368M/216-8      Explanation:  
DNCB440M/252-8  
DNCB522TM/300-6      These are vender models which were manufactured  
DNCB630TM/360-6      without validator openings and before validator  
DNCB501TM/280-8      openings were started in venders.  
DNCB600TM/340-8  
DNCB348M/206-10  
DNCB414M/239-10      Manufacturers' Bill Acceptor - Universal Input Output

REASON: To provide a dollar bill Ardac Validator retrofit kit for Pepsi models:  
With Explanation: As stated above.

Also, this retrofit kit applies to Pepsi Magnum Models listed above but beginning with Serial Number 0001-2829 (These Models Do Not Have An Opening For Ardac Validator.)

1. See Function SW information, Page 9 before proceeding. Do not "plug in" Vender at this time. The Stacker is packaged separately in the vender. Slide it carefully onto the rails of the acceptor. Make sure it latches. Plug into Stacker electrically either side. See Fig. 1 Page 10.
2. Install a Coin Changer: For Ardac Validator Blue Box System-MBA-UIO

This: ~~#~~MARS 6200DH      or ~~#~~TRC 6200H  
~~#~~MARS 6200CH      or ~~#~~TRC 6200CH

~~#~~MARS 5800DH      or ~~#~~TRC 6800H  
★ MARS 5802      or ~~#~~TRC 6800H

~~#~~MARS 5805DH      or ~~#~~TRC 6800CH  
★ MARS 5807      or ~~#~~TRC 6800CH

★ COINTRON 525E-Also order adapter cord 5305626

★ MAKA US111A

★ See Page 11 - Uses T-Block

~~#~~ See Page 12 - Does Not Use T-Block

FOR INCB MODELS LISTED ON PAGE 1 and 2 - SEE INSTALLATION INSTRUCTIONS PAGE 3.  
 FOR INCB MODELS 72" HIGH WITH 14" FILLER PANEL ABOVE CONTROL PANEL - SEE  
 INSTALLATION INSTRUCTIONS - PAGE 4.  
 FOR DINTP350-10, DINTP360-10, and DNP310-10; DNP200-8 and DINTP232-8 - SEE  
 INSTALLATION INSTRUCTIONS - PAGE 5.  
 FOR INCB MODELS 79 1/2" HIGH WITH FILLER PANEL ABOVE CONTROL PANEL - SEE  
 INSTALLATION INSTRUCTIONS - PAGE 6.

ORDER AS: Kit #1, Service Bulletin #294 - Retrofit Ardac Validator  
 Pepsi Magnum

TO INSTALL

DO THIS : 1. See Drawing C8690.05 - Template - Page 13.  
 2. See Installation Instructions - Page 3.

KIT CONSISTS OF:

1	805,501,030.01	Ardac Acceptor
1	805,501,040.01	Ardac Stacker
1	805,501,050.01	Ardac Control Box
1	805,501,060.01	Ardac Wiring Harness
1	B803,823,460.01	Ardac Mounting Plate Label (Cut off)
1	B363,010,100.03	Field Fix, Validator Cover S/A
1	383,010,050.03	Field Fix, Rain Shield
8	801,804,860.01	Spacer - 1/4
8	900,800,500.01	Nut #8-32
4	900,301,560.01	8-32 Sems Screws
8	901,901,060.01	Wire Ties

Note: Does not include LED

A8700.05

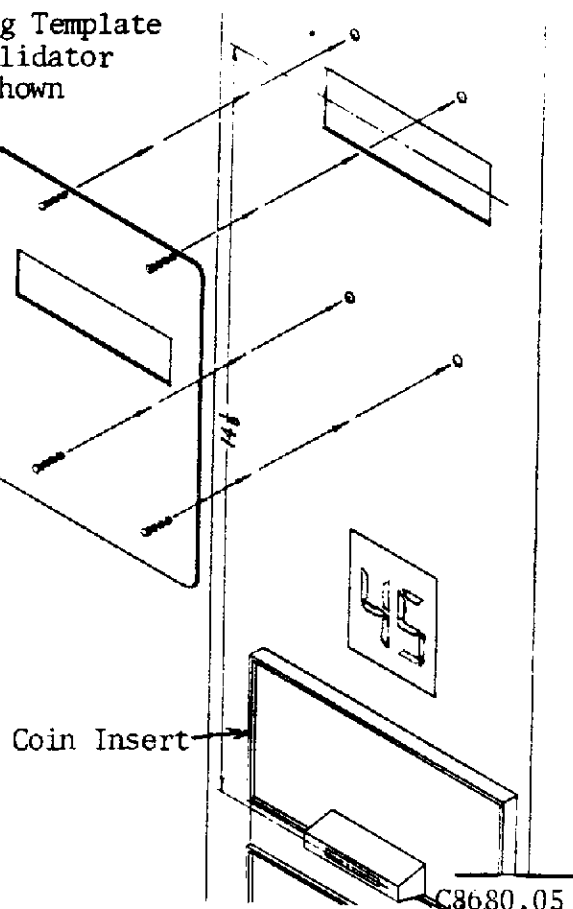
## INSTALLATION INSTRUCTIONS

## ARDAC BILL VALIDATOR IN DIXIE-NARCO PEPSI MAGNUM FIELD FIX

1. Use template C8690.05 to make cutout for validator.  
CAUTION: On 72" high venders a portion of the lamp panel will need to be cut away.
2. Insert Field Fix Validator Cover Plate (rectangular hole towards top) in holes.
3. First, place two (2) of the 1/4" stand offs on each cover plate stud, then insert slotted end of rain shield through cover plate from outside of door. Put slots over the upper studs (on top of the spacers) and then place acceptor on cover plate studs and use four (4) nuts from kit to fasten. Make sure acceptor is down as far as it can go on bottom studs and then tighten nuts.
4. Hold Stacker with its hinged door to your right, lift spring loaded latch (on Acceptor) and slide Stacker onto bottom tracks on Acceptor. Make sure spring loaded latch is in notch on stacker. If price window studs are long type (7/8" they must be cut off.
5. Locate Control Box mounting holes provided in Ballast Cover at bottom of main door. Remove Ballast Cover and fasten Control Box to it using four (4) 8-32 screws and nuts provided. On older Magnums the four holes must be drilled. Control Box is located with "Ardac" logo to right reading downwards.
6. After running harness use wire ties to secure. Note that acceptor and stacker have plug-in terminals on 2 sides. Either side may be used. After installation, check operation beginning on Page 7.

A8700.05

After using Template  
install Validator  
cover as shown



MODELS: All DNCB Models, (28" and 37" wide) 72" high with 14" Filler Panel above Control Panel.

REASON: To Provide A Retrofit Kit.

ORDER AS: B/M274,010,100.04 - Retrofit Ardac Validator Kit.

<u>KIT CONSISTS OF:</u>	1	805,501,030.01	Ardac Acceptor
	1	805,501,040.01	Ardac Stacker
	1	805,501,050.01	Ardac Control Box
	1	805,501,060.01	Ardac Wiring Harness
	1	B803,823,460.01	Ardac Mounting Plate Label (Cut Off)
	4	801,804,860.01	1/4" Stand Off (Spacer)
	8	900,800,500.01	8-32 Keps Nut
	1	274,010,200.03	Validator Field Filler - W/A
	4	900,301,500.01	8 x 1/2 Self Drilling Screws
	8	901,901,060.01	Wire Ties
	1	383,010,050.63	Rain Shield
	1	803,821,330.01	Validator Location Label
	2	900,700.020.01	#8 Flat Washer

Note: Does not include LED.

TO INSTALL

DO THIS:

A8770.05

#### INSTALLATION INSTRUCTIONS

1. Remove filler from front door of vender by removing nuts from bolts. (Remove top horizontal trim entirely for installation.)
2. Insert Validator Field Filler (rectangular hole towards top) in hole and fasten to bolts using nuts removed in step 1.
3. First, place two (2) of the 1/4" stand offs and one (1) flat washer on the two (2) bottom studs on filler, then insert slotted end of rain shield through filler from outside of door. Put slots over the upper studs and then place acceptor on filler studs and use four (4) nuts from kit to fasten. Make sure acceptor is down as far as it can go on bottom studs and then tighten nuts.
4. Hold stacker with its hinged door to your right, lift spring loaded latch (on Acceptor) and slide stacker onto bottom tracks on Acceptor. Make sure spring loaded latch is in notch on stacker.
5. Locate control box mounting holes in right side of main door stiffener plate at bottom of main door by using control box as template. Fasten Control Box to it using four (4) 8 x 1/2 screws provided. Control box is located with "Ardac" logo to left reading horizontal.
6. After running harness, use wire ties to secure. After installation, check operation beginning on Page 7.

MODELS: DNP350-10, DNP360-10, and DNP310-10

REASON: To Provide A Retrofit Kit.

ORDER AS: B/M378,010,400.04 - Retrofit Ardac Validator Kit.

<u>KIT CONSISTS OF:</u>		
1	805,501,030.01	Ardac Acceptor
1	805,501,040.01	Ardac Stacker
1	805,501,050.01	Ardac Control Box
1	805,501,060.01	Ardac Wiring Harness
1	B803,823,460.01	Ardac Mounting Plate Label
14	900,800,500.01	8-32 Keps Nut
1	378,010,300.01	Bottom Filler - W/A
4	900,301,500.01	8-1/2 Self Drilling Screws
8	901,901,060.01	Wire Ties
1	802,001,020.01	Gasket - Validator
6	900,700,020.01	#8 Flat Washer
1	803,821,330.01	Validator Location Label
6	900,400,350.31	T-Bolts
1	801,804,530.01	Horizontal Trim (22 5/8")
1	360,010,140.53	Rain Shield
1	B360,011,000.23	Ass'y. Validator Cover

MODELS: DNP200-8 and DNP232-8

REASON: To Provide a Retrofit Kit.

ORDER AS: B/M349,010,500.04 - Retrofit Ardac Validator Kit.

<u>KIT CONSISTS OF:</u>		
1	805,501,030.01	Ardac Acceptor
1	805,501,040.01	Ardac Stacker
1	805,501,050.01	Ardac Control Box
1	805,501,060.01	Ardac Wiring Harness
1	B803,823,460.01	Ardac Mounting Plate Label
14	900,800,500.01	8-32 Keps Nut
1	C349,010,400.03	Small Bottom Filler - S/A
4	900,301,500.01	8-1/2 Self Drilling Screws
8	901,901,060.01	Wire Ties
1	802,001,020.01	Gasket - Validator
6	900,700,020.01	#8 Flat Washer
1	803,821,330.01	Validator Location Label
6	900,400,350.31	T-Bolts
1	801,804,530.01	Horizontal Trim (13 7/8")
1	360,010,140.53	Rain Shield
1	B360,011,000.23	Ass'y. Validator Cover

TO INSTALL  
DO THIS:

#### INSTALLATION INSTRUCTIONS

1. Remove lower display sign and lamp panel from front door of vender by removing nuts and bolts from the trim.

CUT OFF 15 3/4" FROM BOTTOM OF DISPLAY SIGN ON THE DNP350-10, DNP360-10, and DNP310-10.

CUT OFF 16 15/16 FROM BOTTOM OF DISPLAY SIGN ON DNP200-8 AND DNP232-8.

2. Insert Bottom Filler (rectangular hole towards top) in the hole with flanges towards inside. Also install validator cover with rectangular hole towards top.
3. Reinstall display sign and horizontal trim above filler. Lamp Panel is not to be reinstalled. Insert slotted end of rain shield through cover from outside of door. Put slots over the upper studs and then place acceptor on cover studs and use four (4) nuts from kit to fasten. Make sure acceptor is down as far as it can go on bottom studs and then tighten nuts.
4. Hold stacker with its hinged door to your right, lift spring loaded latch (on Acceptor) and slide stacker onto bottom tracks on Acceptor. Make sure spring loaded latch is in notch on stacker.
5. Place Control Box on the four (4) studs provided for it on the front door panel to the right of the Acceptor and Stacker. Fasten with four (4) 8-32 nuts.
6. After running harness, use wire ties to secure. After installation, check operation beginning on Page 7.

IMPORTANT: The Ardac Validators covered on this page have the LED lamp in the acceptor area. a. When "OFF", use \$ Bills or Coins.  
b. When "ON", use Coins only.

NOTE: Service Started Shipping Ardac LED on June 22, 1987.  
Production Started Using Ardac LED on June 23, 1987.

LED: Plug LED lamp assembly into the Ardac OSW harness. See Pages 11 and 12.

MODELS: All DNCB Models 79 1/2" high with filler above control panel.

REASON: To Provide a Retrofit Kit.

ORDER AS: B/M269,010,400.04 - Retrofit Ardac Validator Kit.

<u>KIT CONSISTS OF:</u>			
1	805,501,030.01	Ardac Acceptor	
1	805,501,040.01	Ardac Stacker	
1	805,501,050.01	Ardac Control Box	
1	805,501,060.01	Ardac Wiring Harness	
1	B360,011,000.23	Ass'y Validator Cover	
12	900,800,500.01	8-32 Keps Nut	
1	C269,010,500.13	Validator Field Filler - W/A	
4	900,301,500.01	8 x 1/2 Self Drilling Screws	
8	901,901,060.01	Wire Ties	
1	360,010,140.53	Rain Shield	
2	900,700,020.01	#8 Flat Washer	
1	803,821,330.01	Validator Location Label	
1	B803,823,460.01	Ardac Mounting Plate Label	

TO INSTALL  
DO THIS:

#### INSTALLATION INSTRUCTIONS

1. Remove filler from front door of vender by removing nuts from bolts. (Remove top horizontal trim entirely for installation.)
2. Insert Validator Field Filler (rectangular hole towards top) in hole and fasten to bolts using nuts removed in step 1.
3. First, place one (1) flat washer on the two (2) bottom studs on filler, then insert slotted end of rain shield through filler from outside of door. Put slots over the upper studs and then place acceptor on filler studs and use four (4) nuts from kit to fasten. Make sure acceptor is down as far as it can go on bottom studs and then tighten nuts.
4. Hold stacker with its hinged door to your right, lift spring loaded latch (on Acceptor) and slide stacker onto bottom tracks on Acceptor. Make sure spring loaded latch is in notch on stacker.
5. Locate control box mounting holes in right side of main door stiffener plate at bottom of main door by using control box as template. Fasten Control Box to it using four (4) 8 x 1/2 screws provided. Control box is located with "Ardac" logo to left reading horizontal.
6. After running harness, use wire ties to secure. After installation, check operation beginning on Page 7.

IMPORTANT: The Ardac Validator covered on this page has the LED lamp in the acceptor area.

- a. When "OFF" use \$ Bills or Coins
- b. When "ON", use Coins only.

NOTE: Service Started Shipping Ardac LED on June 22, 1987.  
Production Started Using Ardac LED on June 23, 1987.

LED: Plug LED lamp assembly into the Ardac OSW harness. See Pages 11 and 12.

VENDER WITH ARDAC VALIDATOR  
FACTORY INSTALLED

ARDAC VALIDATOR IS  
UL APPROVED

Procedure Applies to Retrofit Kits also.

1. See Functions SW information, Page 9 before proceeding. Do not "plug in" Vender at this time. The Stacker is packaged separately in the vender. Slide it carefully onto the rails of the acceptor. Make sure it latches. See Fig. 1 - Page 10.  
Plug into Stacker electrically either side

2. Install a Coin Changer:

5. Fill changer with coins - Nickels, Dimes, and Quarters. (Coinco does not have a dime tube).

Put product in at least two (2) columns so that these two (2) sold out lamps go "out". "PLUG IN" the vender.

Look at correct change lamp, if it is "On" "flip" pay out switches of coin changer to pay out coins. Lamp should go off.

4. Locate Status Display on the control box at bottom of Main Door.

0 Zero, blipping should appear on Status Display. It blips for a short time and disappears. Dot continues to blip.

5. Insert a \$1 bill into acceptor at front of vender (George Washington's face up). Run thru - several \$1 bills.

6. Open door of stacker and watch bills stack inside.

To remove bills, push switch - Fig. 1A, Page 8. Quickly grasp bills and remove.

7. Refer to Status Display in Control Box for explanation and correction if the numbers appear.

<u>Numerical Showing Is</u>	<u>Indicates</u>	<u>Explanation and/or Correction</u>
0	Power Up - O.K.	Electrically set up Ready for operation.
1	Note In Escrow	There is no escrow. 1 should not appear
2	Note(s) Inhibited	Will not accept \$1 bill a. Check for coins in changer tubes. b. If correct change lamp "on" flip payout switches to pay-out coins from changer. c. Check to see if all Sold Out Lamps are on, If so put in product.

For \$ Validator Assistance, Phone  
Dixie-Narco Service  
800/624-0553  
304/725-3481

Numeral Showing IsIndicatesExplanation and/or Correction

2 (cont'd)

- d. Check to see if Vend Relay is "On", i.e., energized. If so, push a select button to cancel the credit.
- e. Check electrical connections at Ardac components.
- f. If "Check Out" is OK - replace Control Box

3

Check Stacker

- a. Open stacker door for any obstruction.
- b. Push switch momentarily, Fig. 1-A, stacker should run and cycle to stop.
- c. Check electrical connections at Ardac components.
- d. If not corrected, replace Stacker.

4

Adjust Mag.

- a. Will not accept \$1 bills, locate Mag. Gain on Control Box to left of status display.
- b. Push Function SW1 to "ON". Acceptor Motor will run.
- c. While running, turn Adjusting Screw clockwise all the way. Slowly turn adjusting screw counterclockwise till 4 disappears. Now turn adjusting screw slightly counterclockwise equal to hour hand movement from one clock numeral to the other. Turn Function SW1 to Off.

5

Check position Sensors in Acceptor

- a. Sensors cannot be adjusted except by Factory.
- b. Check electrical connections between acceptor and control box.
- c. If this does not correct replace acceptor.

6

Check Mag. in Acceptor

- a. Mag. Head cannot be adjusted except by factory.
- b. Check electrical connections between acceptor and control box.
- c. If this does not correct, replace Acceptor.

7

Check Transport  
(Acceptor and Transport  
are the same part)

- a. Remove the Acceptor.
- b. Look for dirt or foreign matter.
- c. Correct by turning white gear and running a \$1 bill thru the Acceptor by hand.
- d. Check electrical connections between acceptor and control box.
- e. If not corrected, replace the acceptor.



<u>Numeral</u>	<u>Showing Is</u>	<u>Indicates</u>	<u>Explanation and/or Correction</u>
8		Check Program	Should never appear on Status Display - does not apply.
9		Clear Jam	<ul style="list-style-type: none"> <li>a. If jammed \$1 bill in acceptor cannot be pulled out, remove the acceptor and disconnect electrically.</li> <li>b. Turn white gear side of acceptor back and forth by hand while at the same time straighten \$1 bill to release it.</li> <li>c. If \$1 bill's are jammed in stacker, remove bills.</li> <li>d. Run numerous bills thru acceptor into stacker and observe bills being stacked.</li> <li>e. Operate cycle switch numerous times.</li> <li>f. If this does not correct, replace stacker.</li> </ul>

Control Box

For \$ Validator Assistance, Phone  
 Dixie-Narco Service  
 800/624-0553  
 304/725-3481

- If Status Display does not "light up",
- a. Check electrical power source.
  - b. Check "circuit breaker" right side edge of control box to see if White is showing.
  - c. Determine reason for Circuit Breaker out - then reset.
  - d. If this does not correct, replace Control Box.

Function SW

Locate the Function Switches on the Control Box

Function Switches 1, 3, and 4 should be in Off position } Explanation is as follows  
 Function Switch 2 should be in On position

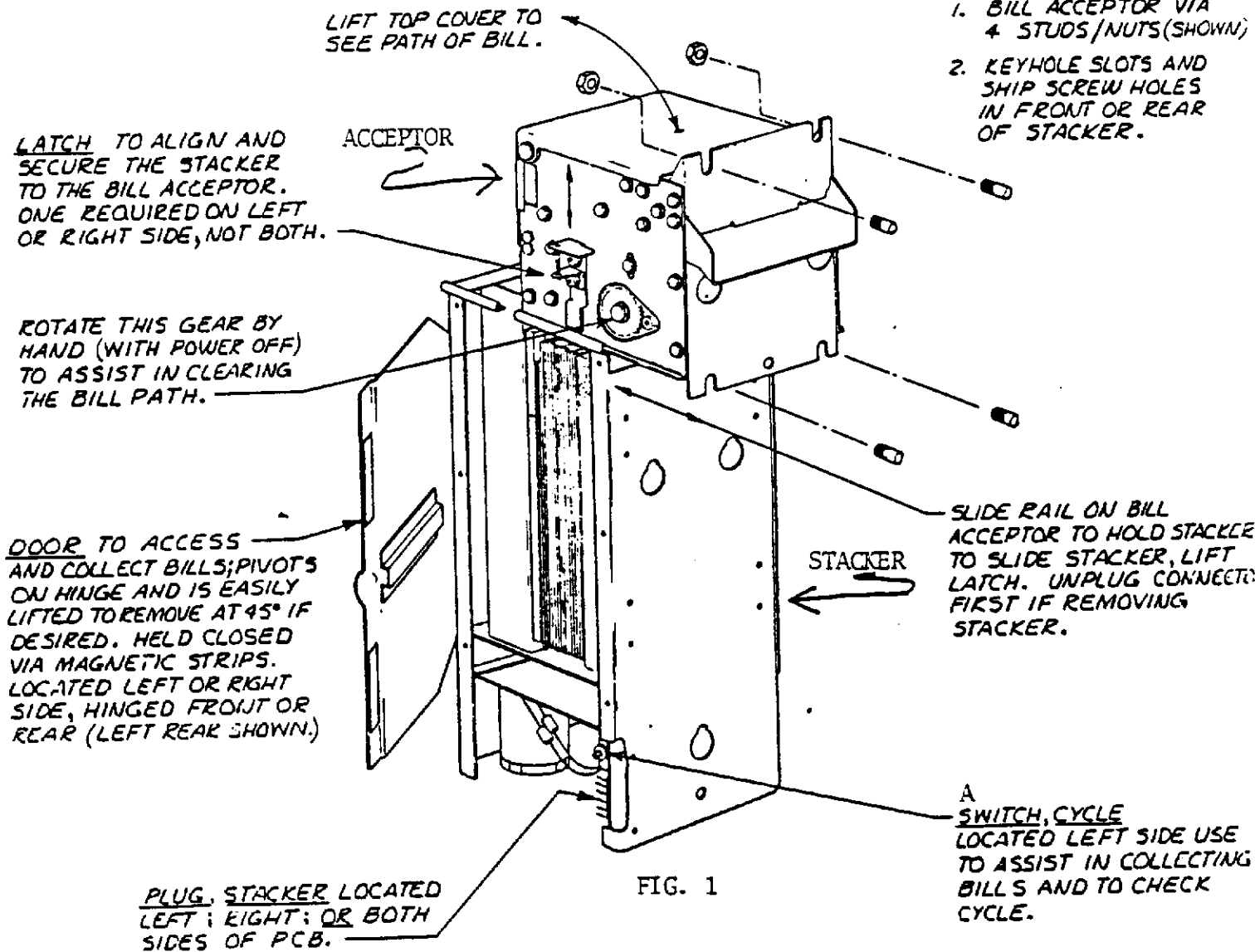
- 1 - ON - Test/Set Mag.  
 OFF - Normal Mode  
 In the "ON" position, the acceptor motor will run continuously. See Status Display 4, Page 8.
- 2 - ON - Bill One Dir.  
 OFF - Bill Two Dir.  
 In ON position, bills are accepted in one direction only.
- 3 - ON - Data Dump  
 OFF - Normal Mode  
 Leave in OFF position (Data Dump Not Applicable)
- 4 - ON - \$1 eq 4 pulses  
 OFF - \$1 eq 1 pulse  
 Leave in OFF position.  
 In ON position, incorrt change will pay out.

# SPECIFY THE ARDAC MBA

Service Bulletin #294

## MOUNTING:

1. BILL ACCEPTOR VIA 4 STUDS/NUTS (SHOWN)
2. KEYHOLE SLOTS AND SHIP SCREW HOLES IN FRONT OR REAR OF STACKER.



POWER 120 V.A.C.  
FROM MACHINE SOURCE



\*NOTE: POWER AND COMMUNICATIONS HARNESSING CAN BE COMBINED OR SEPERATE. THEY WILL DIFFER FOR MACHINES OF VARIOUS MANUFACTURERS. ALWAYS SPECIFY MACHINE TYPE AND MODEL.

## COMMUNICATIONS \*



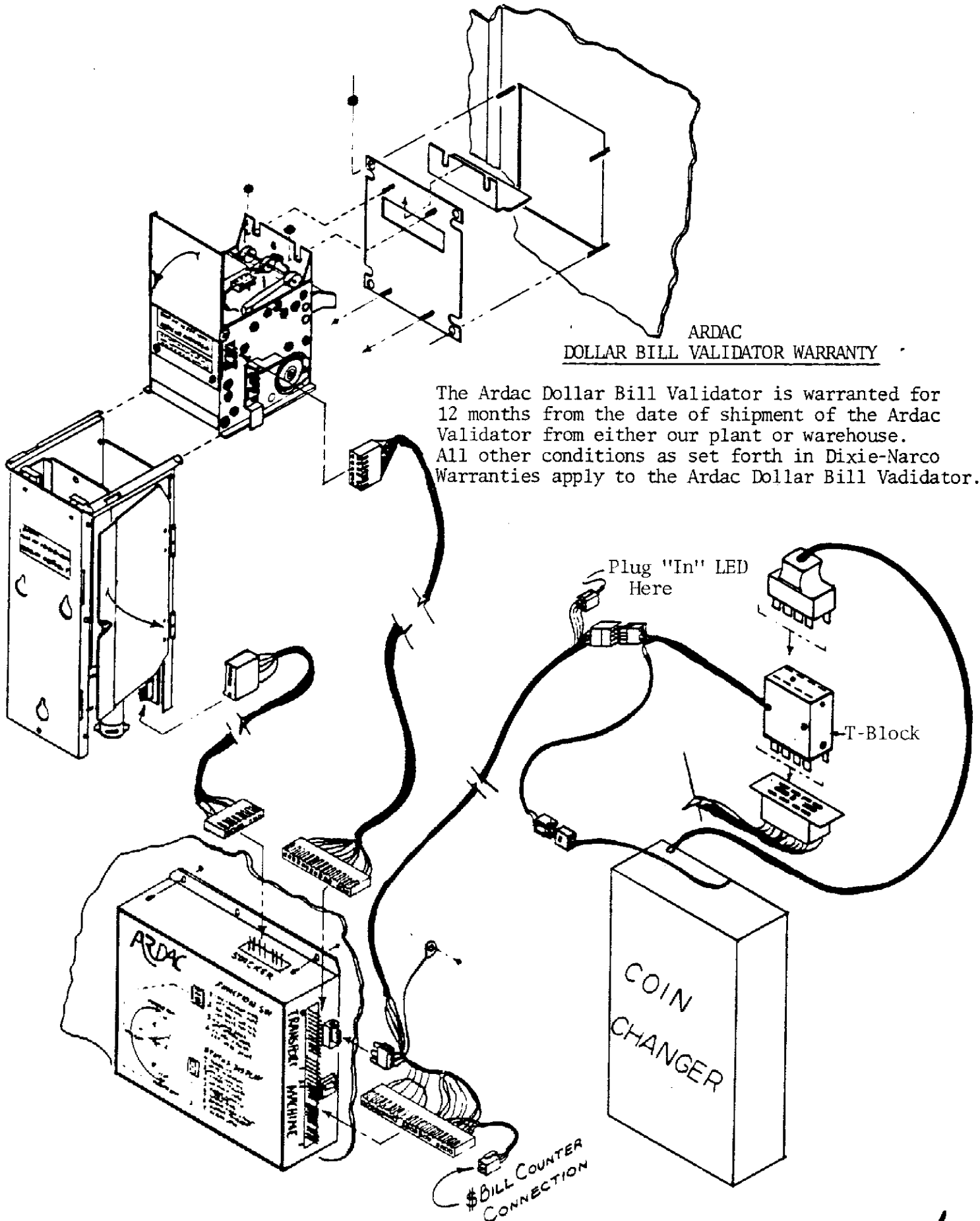
CONNECTOR TO MACHINE FOR FUNCTIONS: ENABLE-DISABLE BILL ACCEPTS ESCROW MODE (ON-OFF-ACCEPT-RETURN) VEND OR CREDIT FOR BILL SECURED.

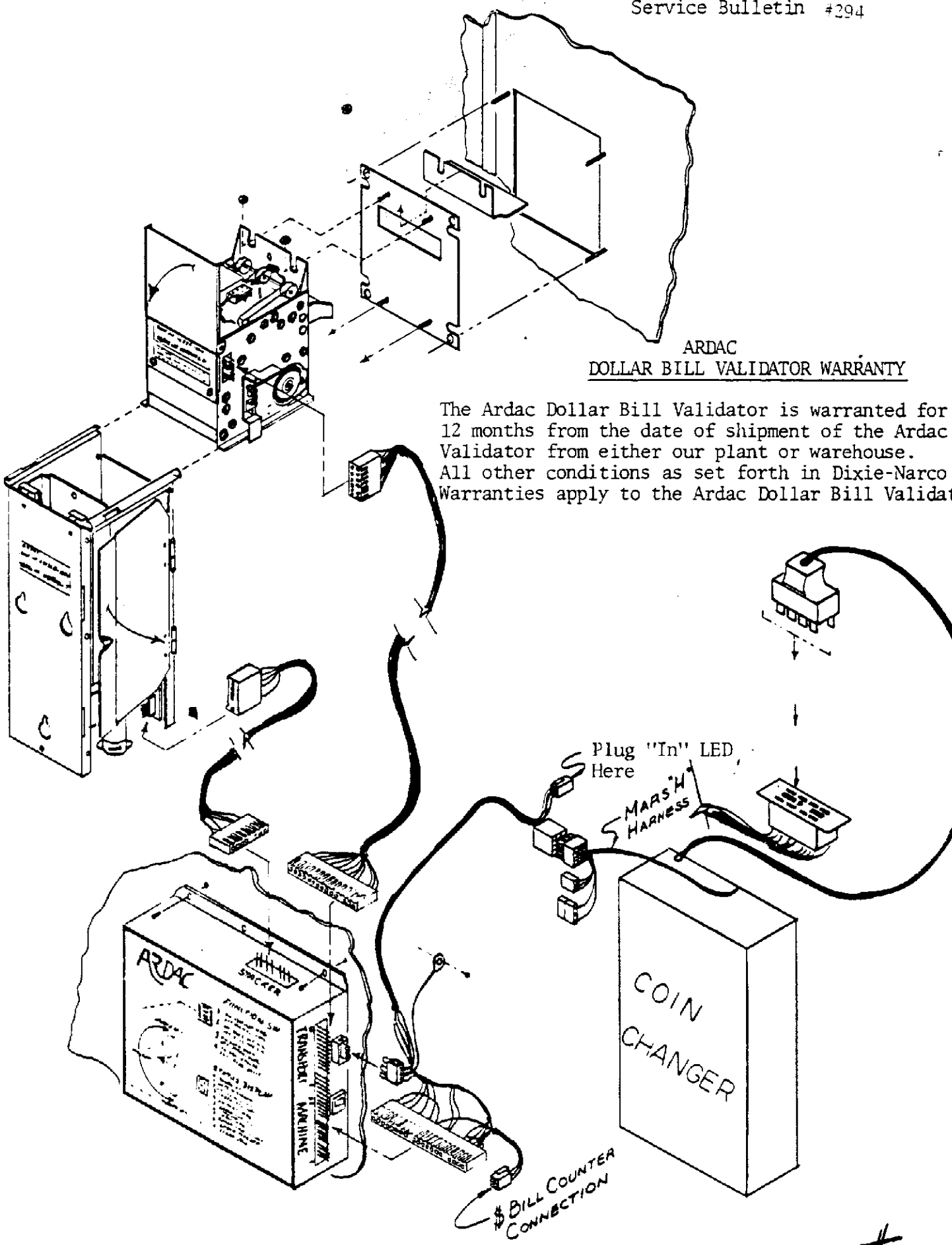
LED- WHEN LIT USE  
COINS ONLY OR  
HONEY (OPTIONAL)

Manufacturers'  
Bill  
Acceptor

**ARDAC**

Ardac Inc. 34000 Wakes Drive, Eastlake, Ohio 4409  
(216) 951 3440

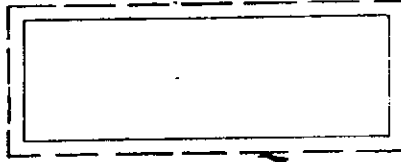




ARDAC  
DOLLAR BILL VALIDATOR WARRANTY

The Ardac Dollar Bill Validator is warranted for 12 months from the date of shipment of the Ardac Validator from either our plant or warehouse. All other conditions as set forth in Dixie-Narco Warranties apply to the Ardac Dollar Bill Validator.





CUT OUT  
THIS AREA

DRILL  $\frac{7}{32}$  DIA. HOLES  
(TYPICAL 4 PLC'S)

PLACE AT RIGHT  
EDGE OF CONTROL  
PANEL

## TEMPLATE

FOLD ON THIS LINE AND  
PLACE ON TOP EDGE OF  
COIN INSERT

TITLE:	MAGNUM FIELD FIX VALIDATOR TEMPLATE	DIST.
DO NOT SCALE THIS DRAWING		
DWG. NO.	C8690.05	